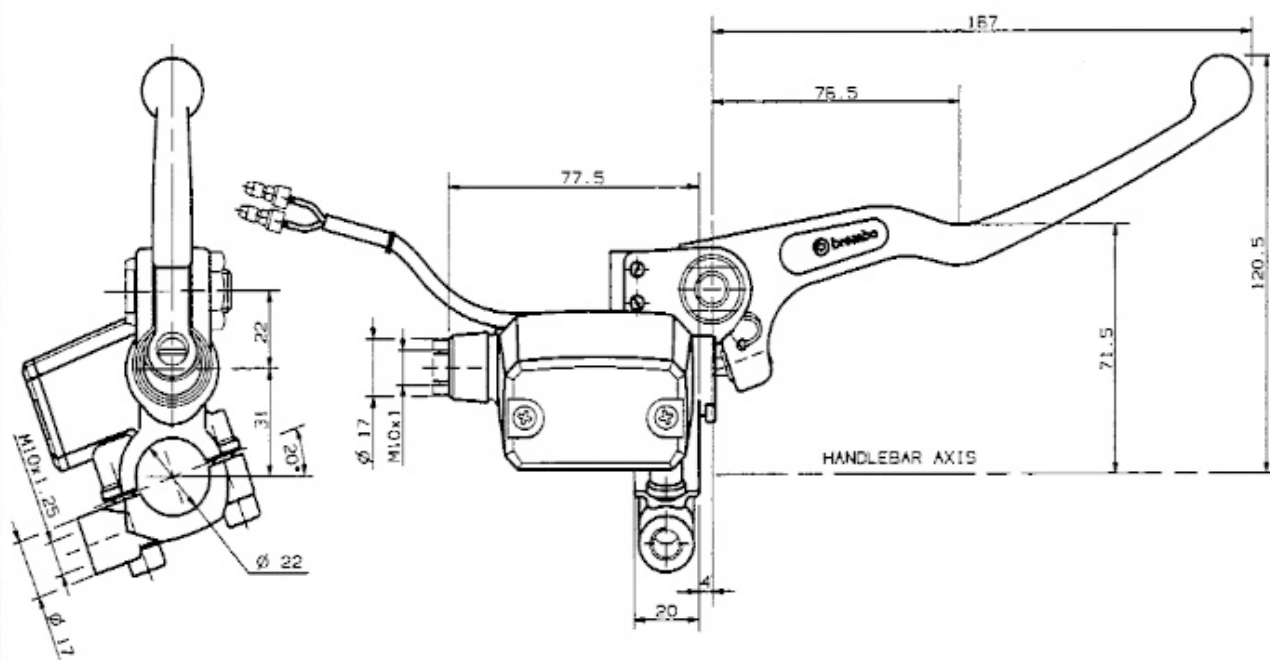




FRONT MASTER CYLINDER

PS 13

10.4620.79



DESCRIPTION

Front master cylinder with incorporated reservoir.

Construction Material: Aluminium Alloy.

Operating fluid: brake fluid DOT4.

Clamp with seat for rearview mirror (Right thread).

Wired microswitch.

Master cylinder BODY color:

Black Anodic Oxidation.

Master cylinder LEVER color:

Black Painting.

TECHNICAL CHARACTERISTICS

Piston diameter: 13.0 mm

Weight: 0.354 Kg

Reservoir volume: 19.5 cm³

Reservoir volume difference between MAX and MIN level: 11.0 cm³

AVAILABLE SPARE PARTS

SPARE PARTS CODE	LEVER	CLAMP	CAP	LEVER PIN	WINDOW	MICROSWITCH
10.4620.79	110.2706.50	110.4372.13	110.4308.60	110.2798.50	110.4533.10	110.4418.13

Indicating informations subject to modification.
For further specifications contact Technical Section.

LAST UPDATE: 24/08/1993