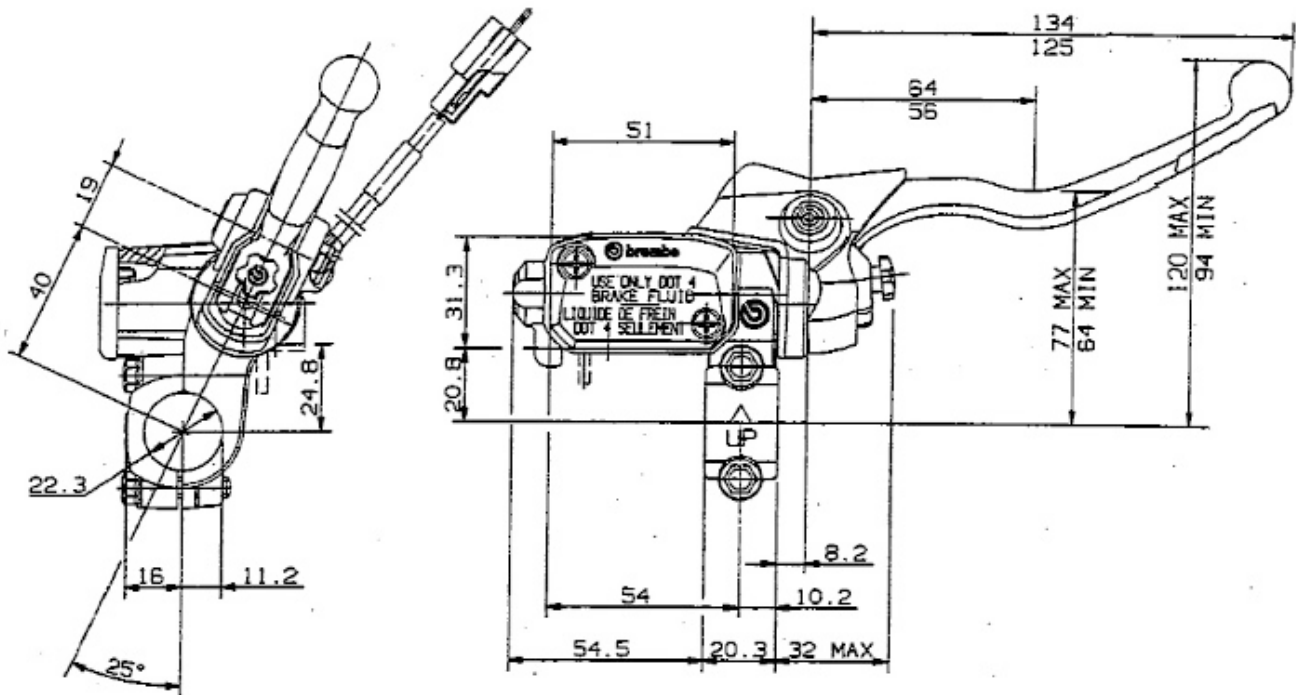




FRONT MASTER CYLINDER

PS 11
10.7677.51



DESCRIPTION

Front master cylinder with incorporated reservoir.

Construction material: Aluminium Alloy.

Operating fluid: brake fluid DOT4.

Microswitch

Master cylinder body color: anodic oxidation natural color

Lever color: Polished

Lever axis distance: 19

TECHNICAL CHARACTERISTICS

Piston diameter: 11.0 mm

Weight: 0.280 Kg

Reservoir volume: 13.0 cm³

AVAILABLE SPARE PARTS

SPARE PARTS CODE	LEVER	CLAMP	CAP	LEVER PIN	WINDOW	DUST COVER
10.7677.51	110.4594.93	110.2815.22	110.2704.77	110.2798.13	110.4535.10	110.3530.51
	ANTI-BUBBLE	ADJUSTER	PISTON SET. W/C	MICROSWITCH		
	110.4771.10	110.5717.12	110.7677.01	110.4671.71		