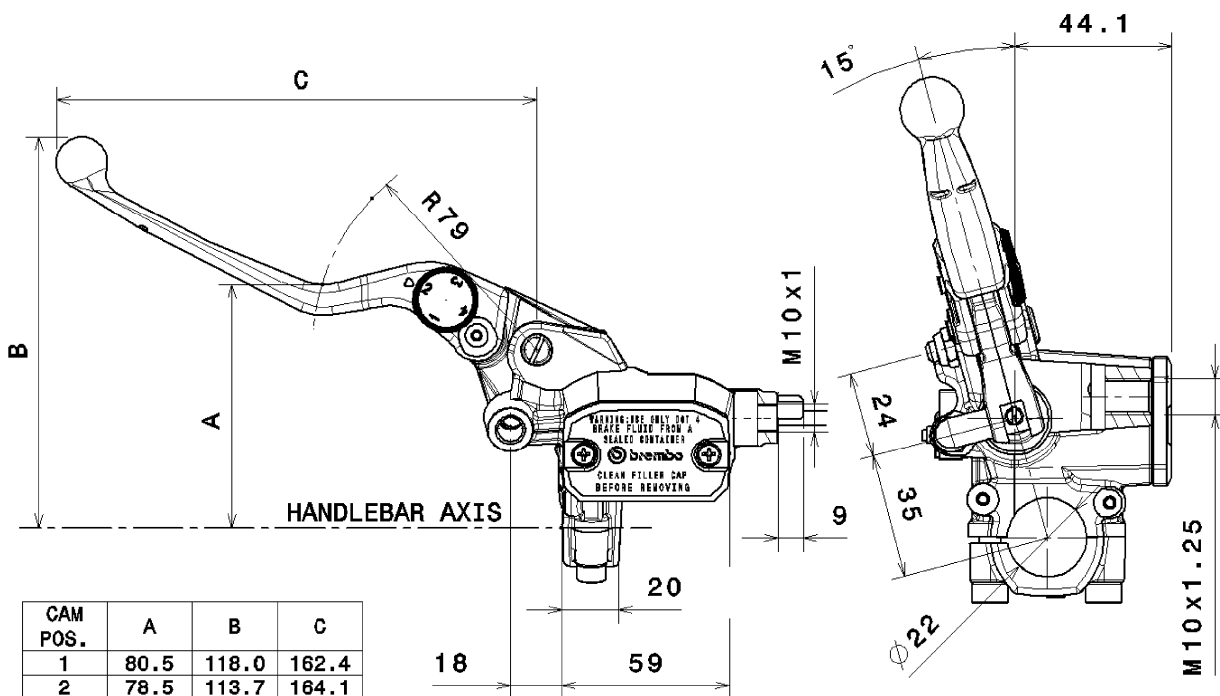




FRONT MASTER CYLINDER

PSC 12/25

10.A039.10
11



CAM POS.	A	B	C
1	80.5	118.0	162.4
2	78.5	113.7	164.1
3	76.5	109.4	165.5
4	74.5	105.1	166.9

DESCRIPTION

Front master cylinder with incorporated reservoir.

Adjustable lever.

Operating fluid: Brake fluid DOT 4

Material

master cylinder body, cap, lever, clamp:
aluminium alloy
small metallic parts: steel

Color

master cylinder body, cap, clamp: black (painting)
lever: polishing and transparent painting
small metallic parts: black zinc plate and seal

TECHNICAL CHARACTERISTICS

Piston diameter:	12.0 mm
Ineffective piston stroke (nominal value)	0.875 mm
Lever axis:	25.0 mm
Total reservoir volume (Vt):	22 cm ³
Weight:	0.42 Kg

AVAILABLE SPARE PARTS

SPARE PARTS PUMP CODE	LEVER	CLAMP	CAP	LEVER PIN	WINDOW	MICROSWITCH
10.A039.10	110.9500.07	110.2815.01	110.2704.46	110.2798.14	110.4533.10	110.4671.85
10.A039.11						110.4671.86

Indicating informations subject to modification.
For further specifications contact Technical Section.

LAST UPDATE: 23.01.09