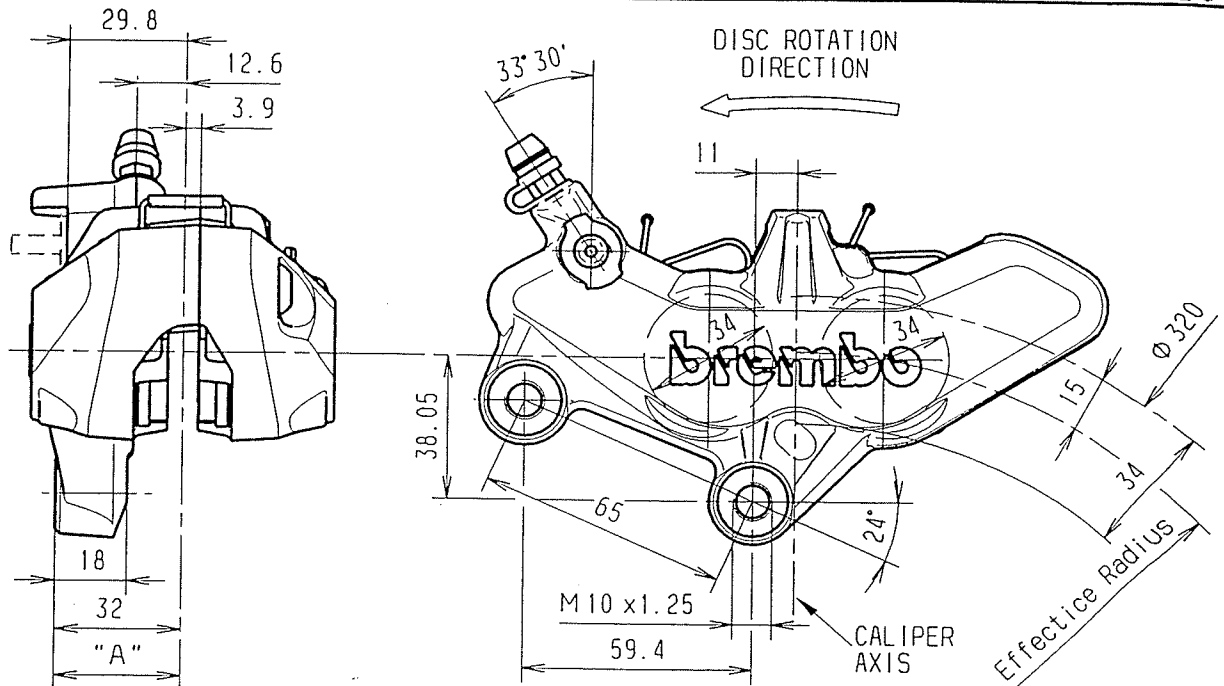




FIXED CALIPER

P4.34 a

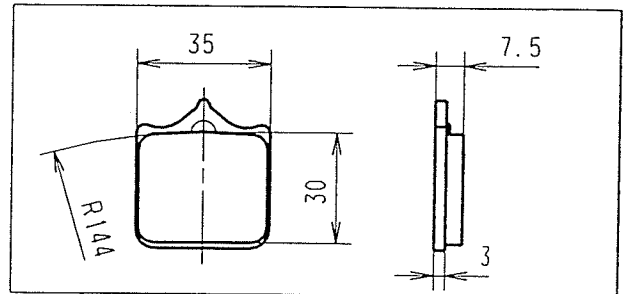
20.7850.10
20.7850.20 A



DESCRIPTION

Fixed caliper with 4 opposed pistons, realized by semicalipers joined by bolts.
Construction Material: Aluminium Alloy.
Operating fluid: brake fluid DOT4.
N.B.: Drawing shows left side caliper.
Code 20.7850.10.
Code 20.7850.20 specular.
Mounting side behind the fork.

PADS SHAPE AND DIMENSIONS



TECHNICAL CHARACTERISTICS

Pistons number and diameter:	4	34 mm	Average pad surface (1 pad):	9.90 cm ²
MAX working pressure:	70 bar		Weight (with sintered pad):	0.975 kg
"A" Disc position (TOLERANCE):				
Disc thickness 5.0 mm	±0.8 mm			
Disc thickness 4.5 mm	±0.8 mm			

CONF IGURATION

CODE CALIPER	CHARACT.	PADS FRICTION MATERIAL	BODY COLOR	MOUNT. SIDE	USABLE DISCS THICKNESS	BRAKE FLUID FOR PADS WEAR
20.7850.10 20.7850.20		TOSHIBA TT 2802 GG	ORO	SX DX	5.0 mm 4.5 mm	14.2 cm ³

AVAILABLE SPARE PARTS

CODE CALIPER	SPARE PARTS	PADS	BLEEDER SCREW	DUST COVER	SPRING PIN
20.7850.10 20.7850.20		107.7855.11	105.3387.52	105.1502.20	122.4849.55