

Engine guard

KAWASAKI KLR 650

US-Model (2008-)

Item-No.: 502206 black



Assembling instructions

The kit includes the following parts:

| Quant | item no. | description |
|-------|-----------|----------------------------------|
| 1 | 700007656 | Engine guard left |
| 1 | 700007657 | Engine guard right |
| 1 | 700011472 | Screw kit: |
| 2 | | filister head screws M10x70x1,25 |
| 4 | | allen screws M8x40 |
| 2 | | hexagon bolts M8x100 |
| 2 | | steel spacer Ø18xØ11x36mm |
| 8 | | alu spacer Ø18xØ9x7mm |
| 2 | | self lock nut M8 |
| 6 | | washers Ø8,4 |
| 2 | | washers Ø10,4 |

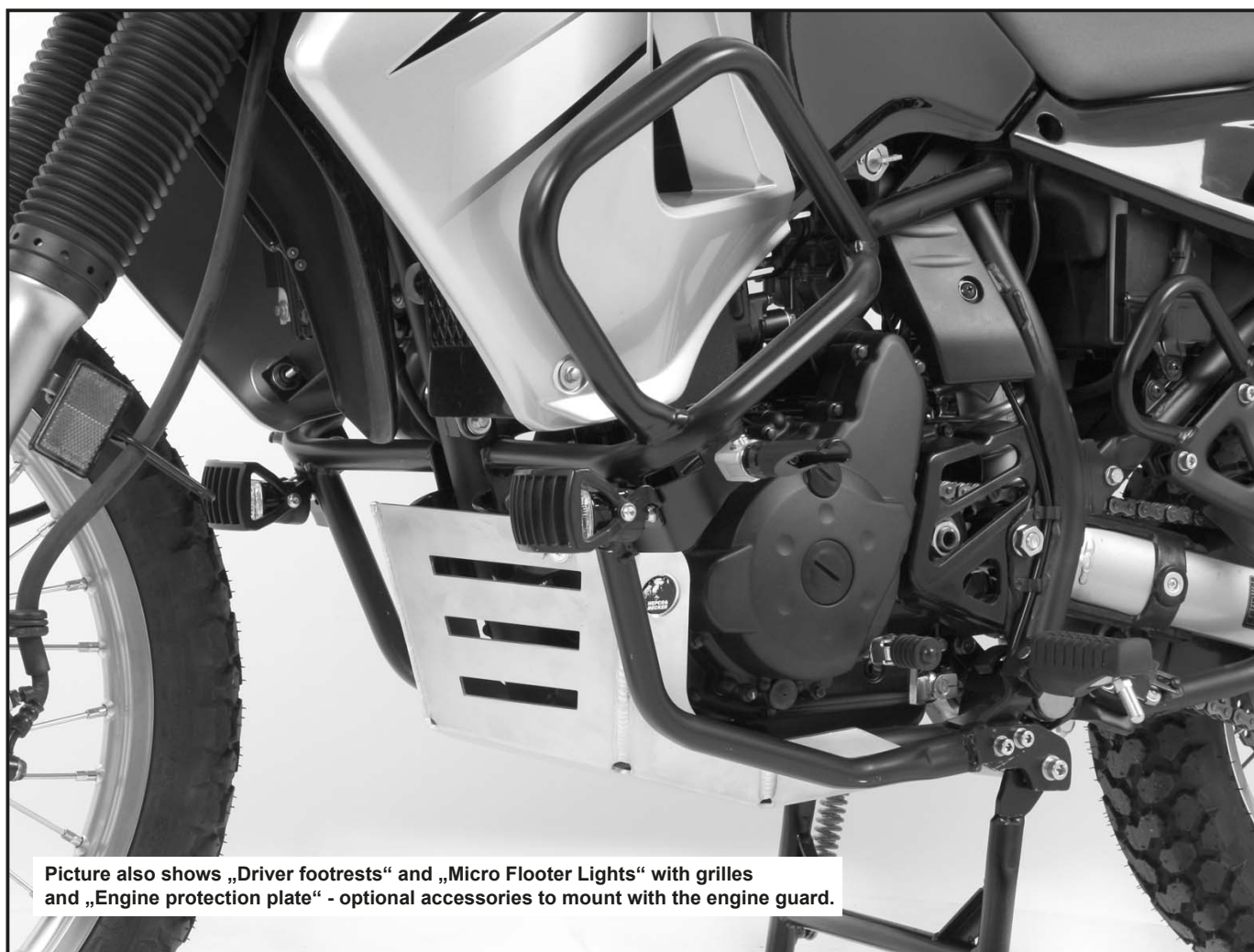
Tip:

Fit all parts and screw on not too strong. After mounting all parts, the screws should be tightened to the torque specified. This guarantees, that the kit is mounted without tension.

Preparing:

Side cover: loose the screws. Dismantle seat. Loose the tank attachment and lift the tank to reach the frame bolting (support tank by a suitable object). Dismantle original plastic engine protection plate.

**Mount only one side at the time
- not both at the same time.**



Picture also shows „Driver footrests“ and „Micro Flooter Lights“ with grilles and „Engine protection plate“ - optional accessories to mount with the engine guard.

Engine guard

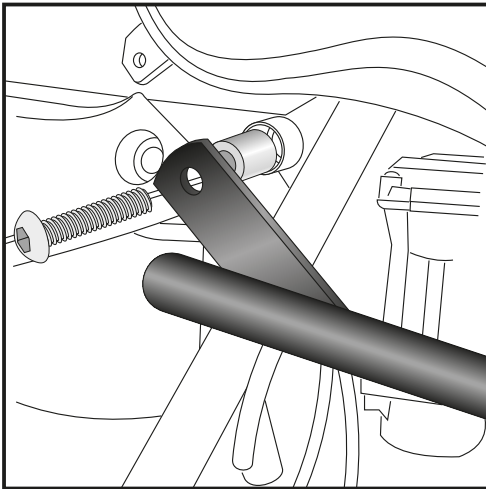
KAWASAKI KLR 650

US-Model (2008-)

Item-No.: 502206 black

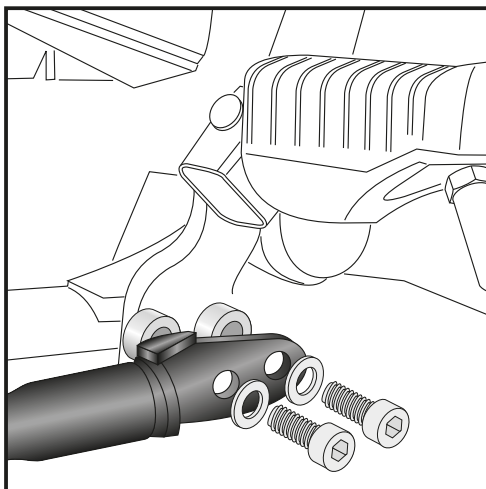
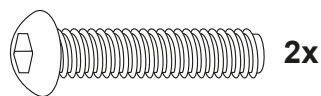


Assembling instructions



1

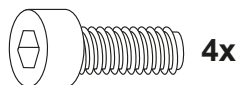
Fastening of the engine guard top left + right:
under the tank at the frame bolting with filister head screws
M10 x 70 x 1,25.
Stuck steel spacers $\text{\O} 18 \times \text{\O} 11 \times 36$ mm in the opening.



2

Fastening of the engine guard bottom left + right:
at the footrest bolting with allen screws M8x40 and washers $\text{\O} 8,4$.
Original screws are obsolete.
Sandwich alu spacers $\text{\O} 18 \times \text{\O} 9 \times 7$ mm between footrest and engine
guard.

(Spacers are obsolete when mounting a center stand together
with the engine guard).



Engine guard

KAWASAKI KLR 650

US-Model (2008-)

Item-No.: 502206 black



Assembling instructions

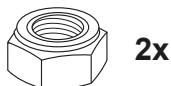
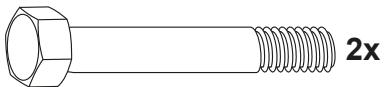
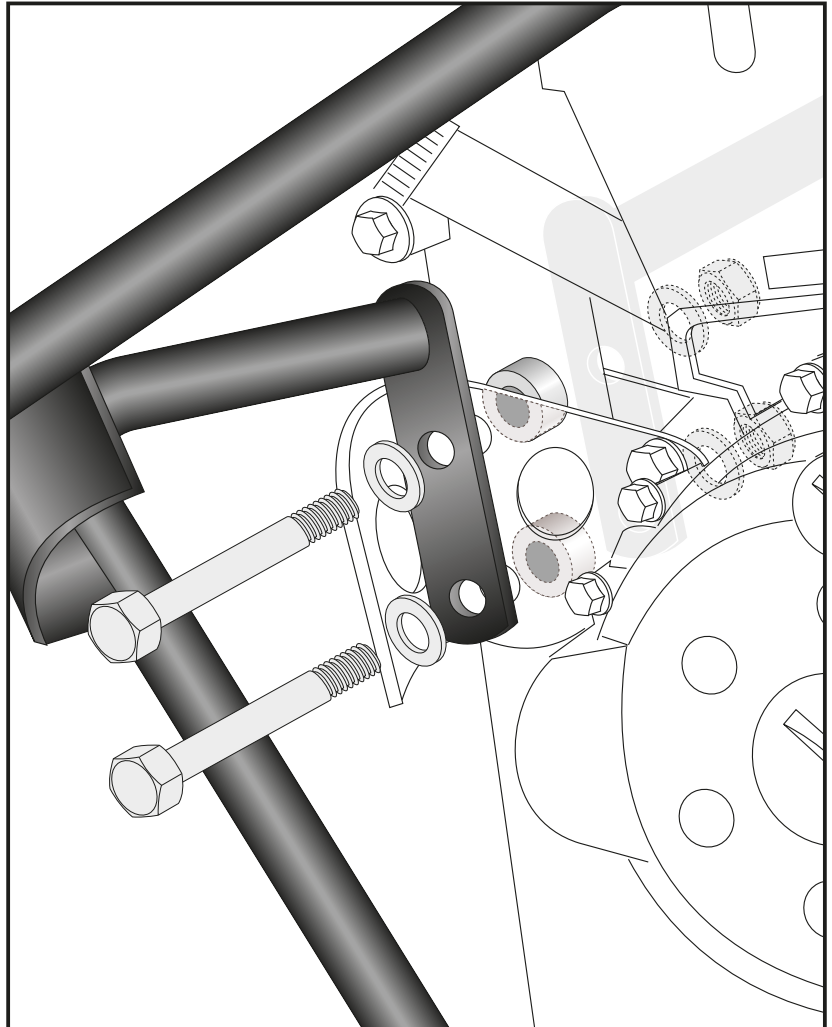
Fastening of the engine guard
front left + right:

above the engine suspension at the
frame - original screws are obsolete.
Use hexagon bolts M8x100, washers
Ø8,4 and self lock nuts M8.

Sandwich alu spacers Ø18xØ9x7mm
between frame and the retaining plate
of the original engine protection plate.

Mount tank, engine protection plate,
side cover and seat again.

3



Control all screw connections after the assembling for tightness!
Please notice our enclosed service information.

More accessories: www.hepco-becker.de



Hepco & Becker GmbH
An der Steinmauer 6
D-66955 Pirmasens
Germany

Tel.: +49 6331 - 1453 - 100
Fax: +49 6331 - 1453 - 120
eMail: vertrieb@hepco-becker.de
www.hepco-becker.de