

UNIVERSAL USB CHARGER

Works with most USB powered devices
Adapters are Garmin, Apple compatible.

IN: 12V 0.5 A max.

OUT: 5V 1000mA – 5 Watt

SAFETY:

- Low input (12.4V) auto-off
- Short circuit proof
- Overload protected

102

SAE connector
102 Delivered
without
extenders

101

TM (KET)
connector

100

SAE connector



100-101 Delivered with:

- USB-A 1m / 40" extender
- USB mini adapter
- USB micro adapter



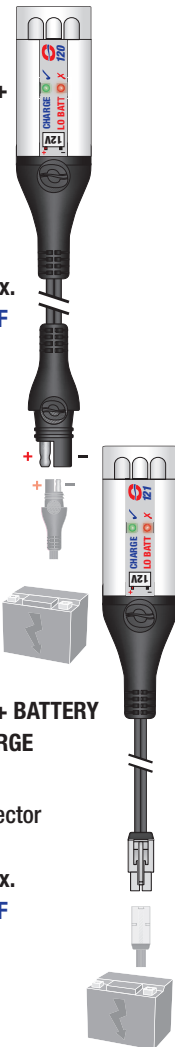
NEW!

12V LED FLASHLIGHT

120

12V FLASHLIGHT +
BATTERY and
VEHICLE CHARGE
SYSTEM CHECK

SAE connector
1m / 40" cable
⚡ 0.1 A max.
❄ -20°C/4°F



121

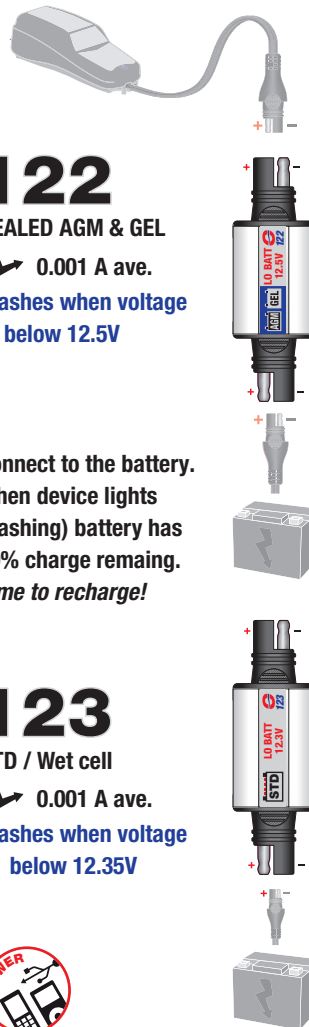
12V FLASHLIGHT + BATTERY
and VEHICLE CHARGE
SYSTEM CHECK

TM (KET) connector
1m / 40" cable
⚡ 0.1 A max.
❄ -20°C/4°F



FIRST AVAILABILITY: MAY 2012

CHARGE NOW! WARNING FLASHER



122

SEALED AGM & GEL

⚡ 0.001 A ave.
Flashes when voltage
below 12.5V

Connect to the battery.
When device lights
(flashing) battery has
50% charge remaining.
Time to recharge!

123

STD / Wet cell

⚡ 0.001 A ave.
Flashes when voltage
below 12.35V



NEW!

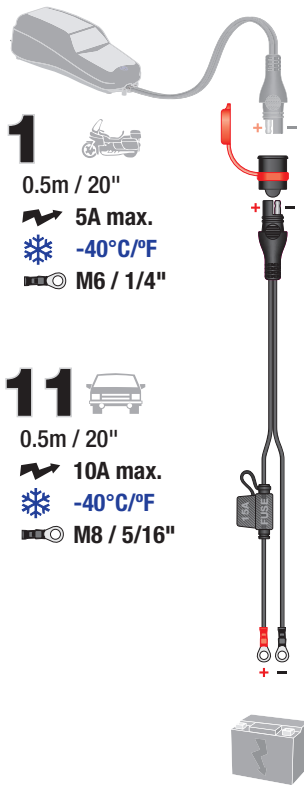


TecMate International
Ambachtenlaan 6,
B-3300 Tienen, Belgium

TecMate North America
#1 - 1097 North Service Road
Oakville, ON L6H 1A6, Canada

WEATHERPROOF PERMANENT LEAD

CONNECTEUR FIXE ETANCHE – CONECTOR FIJO IMPERMEABLE – CONNETTORE FISSO IMPERMEABILE – WASSERDICHTER FESTER ANSCHLUßKABEL – VATTENTÄT ANSLUTNINGSKABEL – 車輛側ケーブル (防滴キャップ付)



1
0.5m / 20"
5A max.
-40°C/°F
M6 / 1/4"

11
0.5m / 20"
10A max.
-40°C/°F
M8 / 5/16"



12V BIKE & CAR SOCKET CONNECTOR

FICHE 2-EN-1 DIN & AUTO – ENCHUFE 2-EN-1 DIN & MECHERO – CONNETTORE 12V DIN & AUTO – 12V ANSLUTNING BIL & CIGARETTÄNDARE-UTTAG – 2-IN-1 DIN & AUTOVERBINDUNG – シガーDCプラグケーブル



2
0.5m / 20"
5A max.
-20°C / -4°F
8A fuse

12
0.5m / 20"
5A max.
-20°C / -4°F
10A fuse



CHARGE CABLE EXTENDER

RALLONGE DE CHARGE – EXTENSIÓN DECARGA – PROLUNGA CAVO DICARICA – VERLÄNGERUNGSSCHNUR – FÖRLÄNGNINGSKABEL – 1.8M 延長ケーブル



3
1.8m / 6ft
5A max.

13
4.6m / 15ft
5A max.

23
WEATHERPROOF
4.6m / 15ft
10A max.
-40°C/°F



ALLIGATOR / BATTERY CLIPS

PINCES COCCODILES – PINZAS COCODRILLOS – PINZE COCCODRILLO – ANSCHLUßKLEMMEN – KROKODILKLÄMMA – ワニクリップケーブル

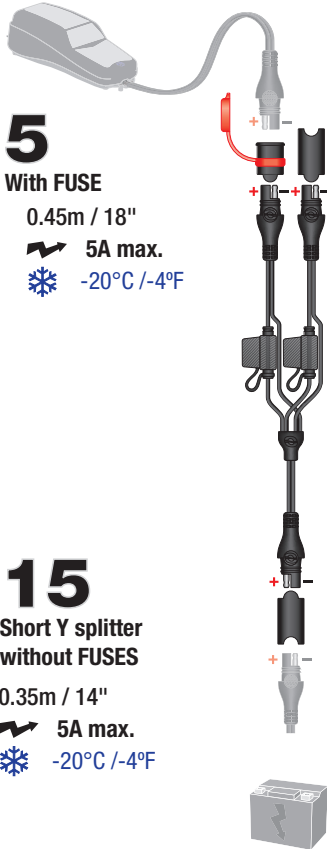


4
0.5m / 20"
10A max.
-20°C / -4°F



FUSED Y-SPLITTER

CÂBLE Y AVEC FUSIBLES – ADAPTADOR Y CON FUSIBLE –
ADATATORE Y CON FUSIBILE – FUSED Y-SPLITTER –
Y VERBINDUNGSKABEL MIT SICHERUNG – 二股変換ケーブル
(SAE端子) フューズ付き



5

With FUSE

0.45m / 18"

5A max.

-20°C / -4°F

15

Short Y splitter
without FUSES

0.35m / 14"

5A max.

-20°C / -4°F



12V WEATHERPROOF ACCESSORY SOCKET

PRISE 12V ETANCHE – TOMA 12V IMPERMEABLE
PRESA IMPERMEABILE 12V 12V WASSERDICHTE
STECKDOSE – 12V VATTENTÄT HYLSA –
12V ソケットケーブル



6

AUTO to SAE

0.5m / 20"

10A max.

-20°C / -4°F

16

AUTO to DIN / BIKE

0.3m / 12"

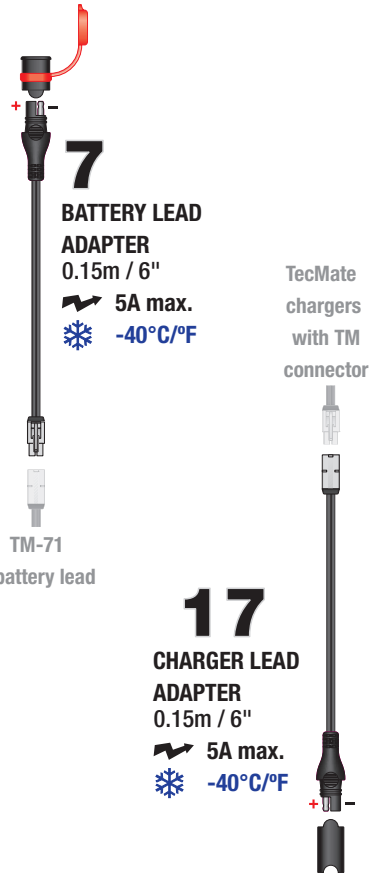
5A max.

-20°C / -4°F



SAE-TM ADAPTER

ADAPTATEUR SAE-TM – ADAPTADOR SAE-TM –
ADATTATORE SAE-TM – SAE-TM ADAPTER –
車輛側ケーブル (SAE-TM)



7

BATTERY LEAD
ADAPTER

0.15m / 6"

5A max.

-40°C/°F

TM-71
battery lead

17

CHARGER LEAD
ADAPTER

0.15m / 6"

5A max.

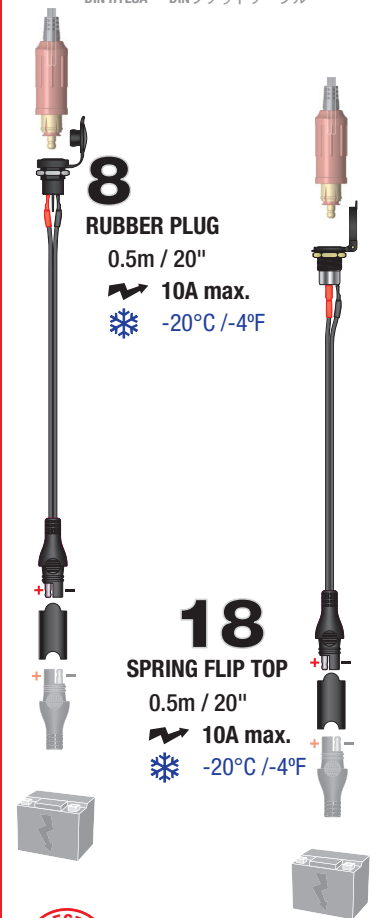
-40°C/°F



TM (KET) connectors will be
phased out on all OptiMate models
during 2012, replaced by the SAE
compatible connection system.

12V WEATHERPROOF PANEL-MOUNT DIN SOCKET

PRISE CHASSIS DIN 12V ETANCHE – TOMA DIN 12V
IMPERMEABLE – PRESA IMPERMEABILE DIN 12V –
12V WASSERDICHTE STECKDOSE – 12V VATTENTÄT
DIN HYLSA – DINソケットケーブル



8

RUBBER PLUG

0.5m / 20"

10A max.

-20°C / -4°F

18

SPRING FLIP TOP

0.5m / 20"

10A max.

-20°C / -4°F





12V DIN / BIKE CONNECTOR

FICHE 12V DIN - ENCHUFE 12V DIN -
CONNETTORE 12V DIN - 12V DIN ANSLUTNING BIL -
12V DIN AUTOVERBINDING - 12V DC プラグケーブル



9
1.2m / 48"
5A max.
-40°C/°F



19
BASIC
0.3m / 12"
5A max.
-20°C / -4°F



SAE-x ADAPTERS

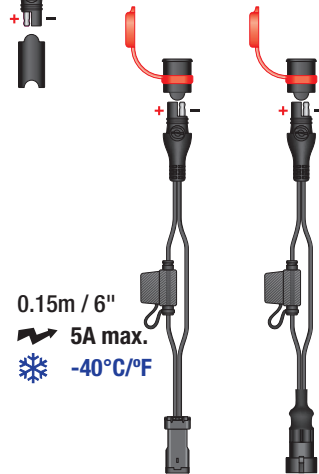
ADAPTATEUR SAE-x - ADAPTADOR SAE-x -
ADATTATORE SAE-x - SAE-x ADAPTER -
車輛側ケーブル (SAE-x)



27
SAE-SEA POLARITY
CHANGER
0.15m / 6"
5A max.
-40°C/°F

47
DUCATI
ADAPTER

57
MV AGUSTA
ADAPTER



0.15m / 6"
5A max.
-40°C/°F



Motorcycle brand
specific connector
on wiring loom



Accessories are equipped with an innovative heavy duty connector that is rated at 15A and is SAE compatible. The removable end cap & shroud and in-line rubber sealing shrouds provides weather and dirt proof operation.



The polarity of the open pin on the SAE connector is not the same on all accessories.

The CHARGE group of accessories connecting to the vehicle battery (directly or via a 12V vehicle socket) will have the open pin as negative - the same as the vehicle body. In the CONNECTOR and POWER groups the open pin is positive.

The CONNECTOR group of accessories fitted with an SAE connector needs a POWER group accessory to charge or draw power from the battery.

Devices in the POWER group require a CHARGE group accessory to draw power from the battery.

For a custom configuration use the 27 SAE-SEA polarity changer.

An 1 and 4 accessory is included with every OptiMATE battery charger.



The two most advanced OptiMATE battery saving chargers

OptiMATE 4

OptiMATE 6
ampmatic



Discover more about
OptiMATE battery saving
chargers and accessories

optimate1.com

