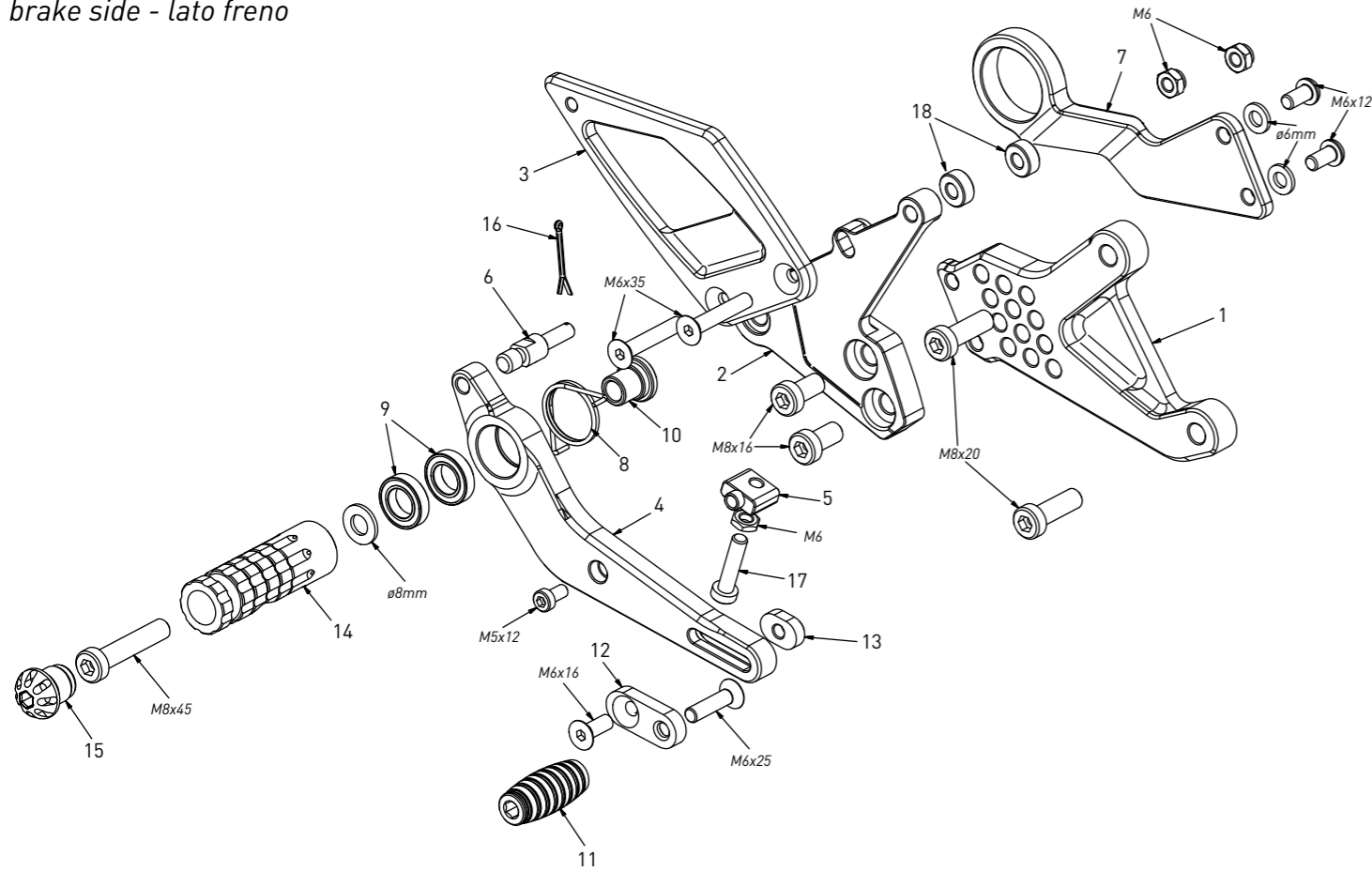


code B005 - BMW S 1000 RR '15/'18

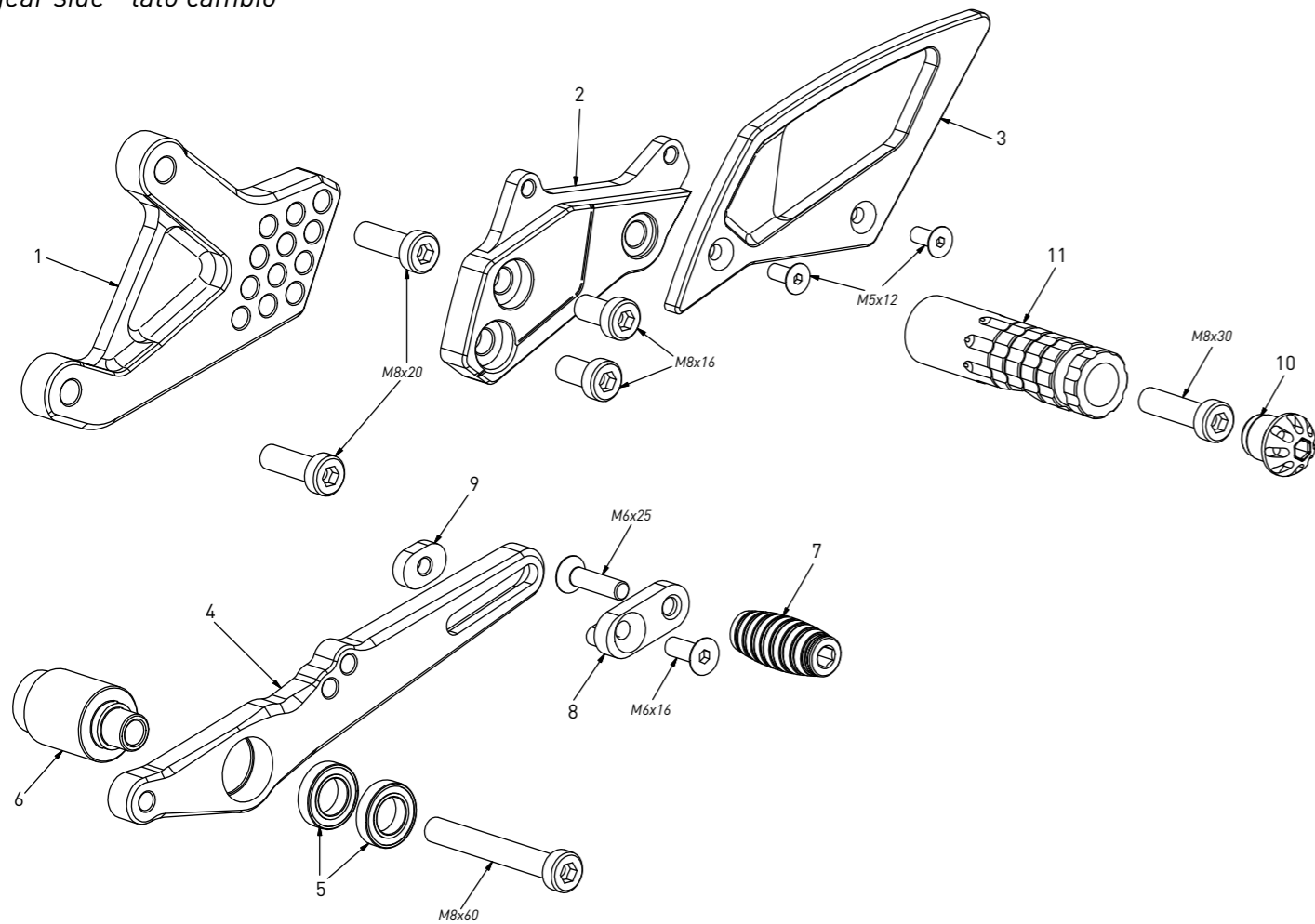
brake side - lato freno



| code B005 - brake side - lato freno | | | |
|-------------------------------------|------------------------------------|---------|--|
| n° | description - descrizione | code | |
| 1 | back plate - arretratore | AR_088 | |
| 2 | plate - piastra | PS_042 | |
| 3 | heel plate - battitacco | BT_023 | |
| 4 | brake lever - leva freno | FN_024 | |
| 5 | registro - adjuster | FN_025 | |
| 6 | brake pin - perno freno | PF_004 | |
| 7 | exhaust bracket - staffa scarico | SS_006 | |
| 8 | spring - molla | MO_002 | |
| 9 | bearing - cuscinetto | CS_002 | |
| 10 | bush - boccola | BC_002 | |
| 11 | frontpeg - puntalino | PU_001 | |
| 12 | sliding plate - piastra scorrevole | PU_004 | |
| 13 | anchor - tassello | PU_005 | |
| 14 | footpeg - poggiatele | PG03 | |
| 15 | cap - tappo | PG00_BK | |
| 16 | forelock - coppiglia | FN_001 | |
| 17 | adjuster screw - vite registro | FN_014 | |
| 18 | 6mm spacer - spessore 6mm | SP_015 | |

code B005 - BMW S 1000 RR '15/'18

gear side - lato cambio



| code B005 - gear side - lato cambio | | | |
|-------------------------------------|------------------------------------|---------|--|
| n° | description - descrizione | code | |
| 1 | back plate - arretratore | AR_087 | |
| 2 | plate - piastra | PS_043 | |
| 3 | heel plate - battitacco | BT_022 | |
| 4 | gear lever - leva cambio | LC_021 | |
| 5 | bearing - cuscinetto | CS_002 | |
| 6 | gear spacer - distanziale | DC_027 | |
| 7 | frontpeg - puntalino | PU_001 | |
| 8 | sliding plate - piastra scorrevole | PU_004 | |
| 9 | anchor - tassello | PU_005 | |
| 10 | cap - tappo | PG00_BK | |
| 11 | footpeg - poggiatele | PG04 | |