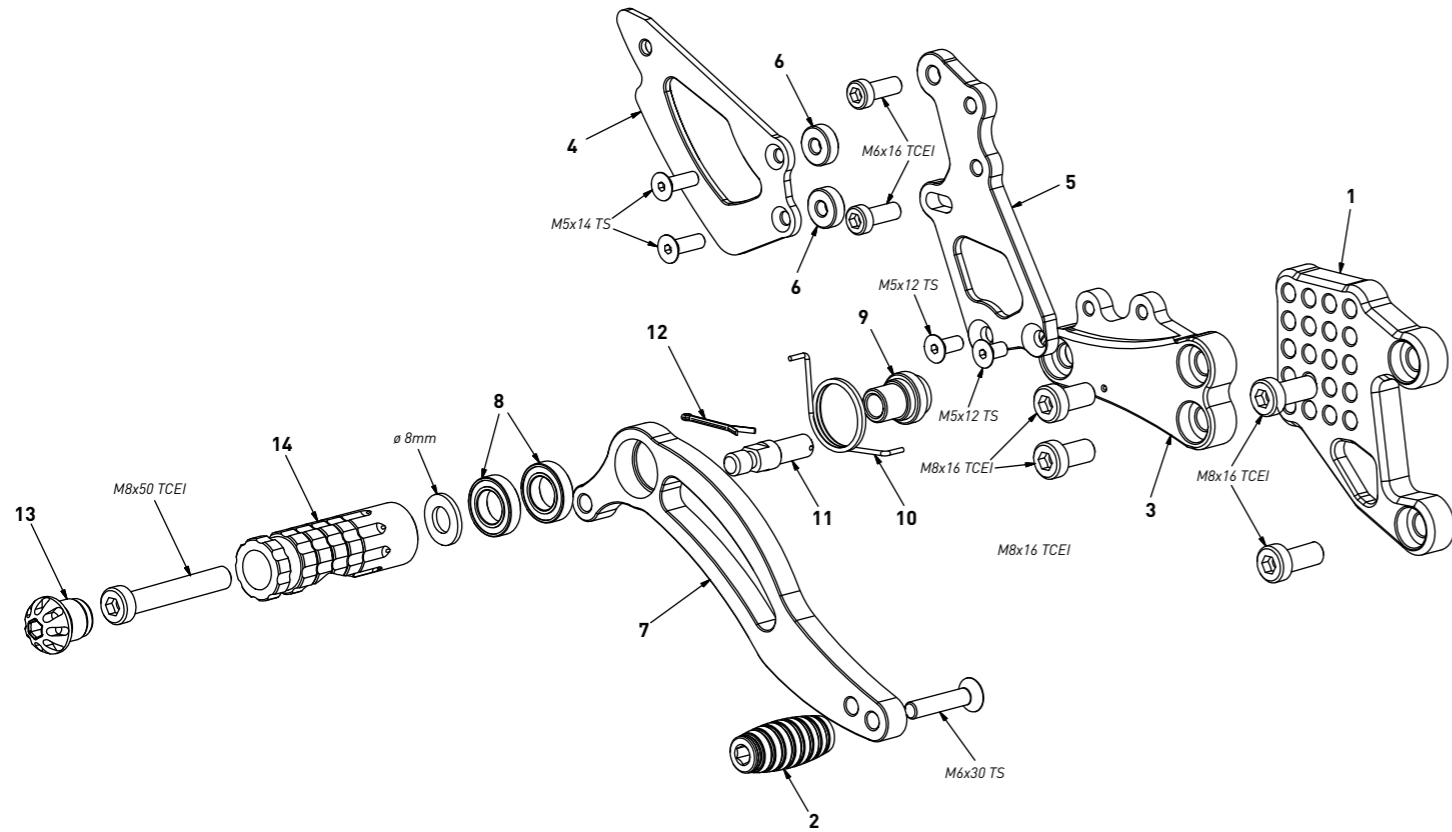


**code H003 - Honda CBR 600 RR '03/'06 (reverse shifting)**

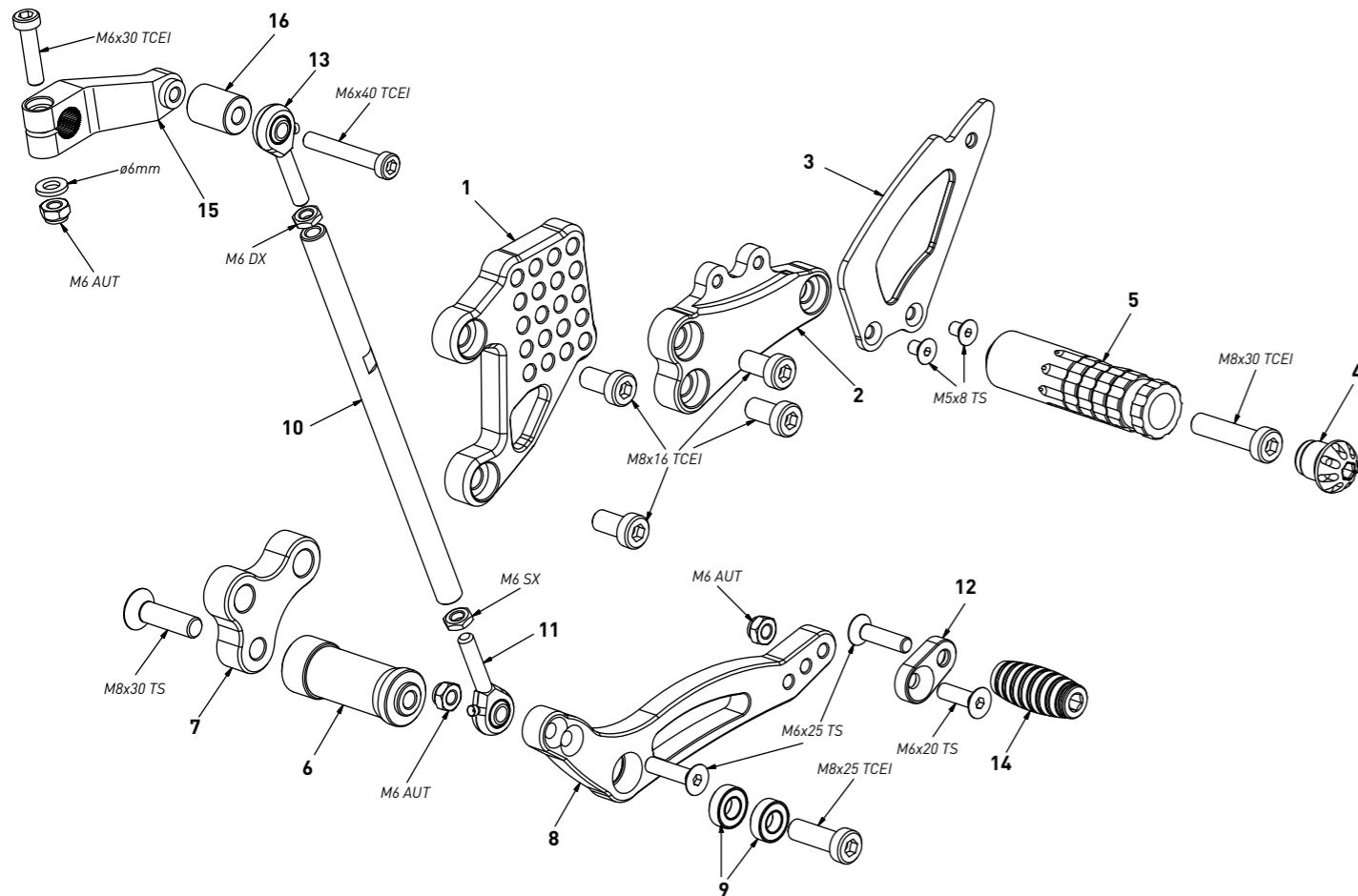
*brake side - lato freno*



| code H003 - brake side - lato freno |                           |         |  |
|-------------------------------------|---------------------------|---------|--|
| n°                                  | description - descrizione | code    |  |
| 1                                   | back plate - arretratore  | AR_020  |  |
| 2                                   | frontpeg - puntalino      | PU_001  |  |
| 3                                   | plate - piastra           | PS_008T |  |
| 4                                   | heel plate - battitacco   | BT_002  |  |
| 5                                   | pump support - portapompa | PP_009  |  |
| 6                                   | 5mm spacer - spessore 5mm | SP_001  |  |
| 7                                   | brake lever - leva freno  | FN_002  |  |
| 8                                   | bearing - cuscinetto      | CS_002  |  |
| 9                                   | bush - boccola            | BC_002  |  |
| 10                                  | spring - molla            | MO_002  |  |
| 11                                  | brake pin - perno freno   | PF_006  |  |
| 12                                  | forelock - coppiglia      | FN_001  |  |
| 13                                  | cap - tappo               | PG00_BK |  |
| 14                                  | footpeg - poggiatesta     | PG03    |  |

**code H003 - Honda CBR 600 RR '03/'06 (reverse shifting)**

*gear side - lato cambio*



| code H003 - gear side - lato cambio |                           |          |  |
|-------------------------------------|---------------------------|----------|--|
| n°                                  | description - descrizione | code     |  |
| 1                                   | back plate - arretratore  | AR_019   |  |
| 2                                   | plate - piastra           | PS_007T  |  |
| 3                                   | heel plate - battitacco   | BT_002   |  |
| 4                                   | cap - tappo               | PG00_BK  |  |
| 5                                   | footpeg - poggiatesta     | PG04     |  |
| 6                                   | spacer - distanziale      | DC_026   |  |
| 7                                   | spacer bracket - supporto | DC_026B  |  |
| 8                                   | gear lever - leva cambio  | LC_002   |  |
| 9                                   | bearing - cuscinetto      | CS_001   |  |
| 10                                  | gear rod - asta cambio    | R021_180 |  |
| 11                                  | LH uniball - uniball SX   | RH01_SX  |  |
| 12                                  | eccentric plate - piastra | PU_003   |  |
| 13                                  | RH uniball - uniball DX   | RH01_DX  |  |
| 14                                  | frontpeg - puntalino      | PU_001   |  |
| 15                                  | gear selector - selettore | SC_002   |  |
| 16                                  | spacer - distanziale      | DC_017   |  |