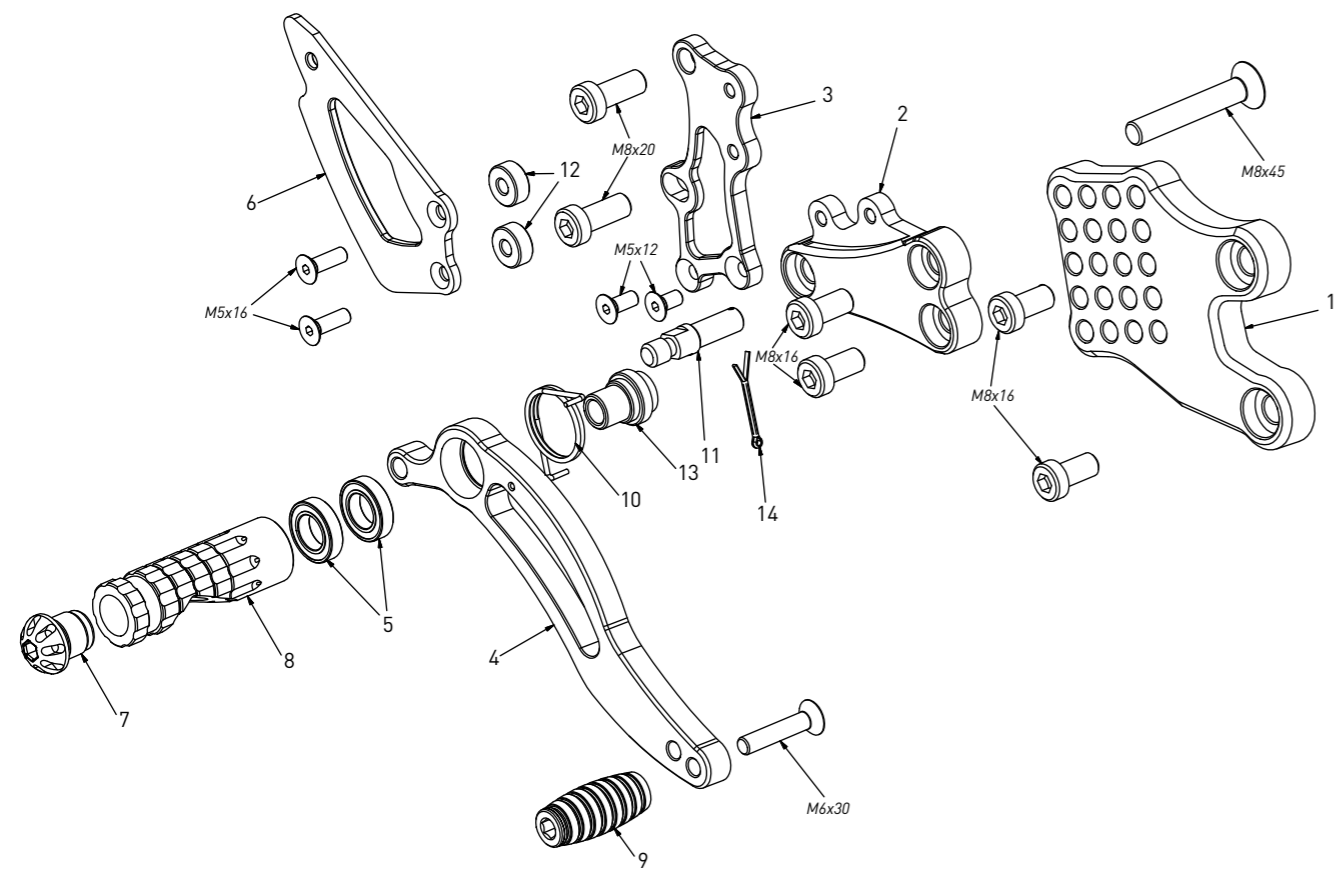


code K001 - Kawasaki ZX-10R '04/'05

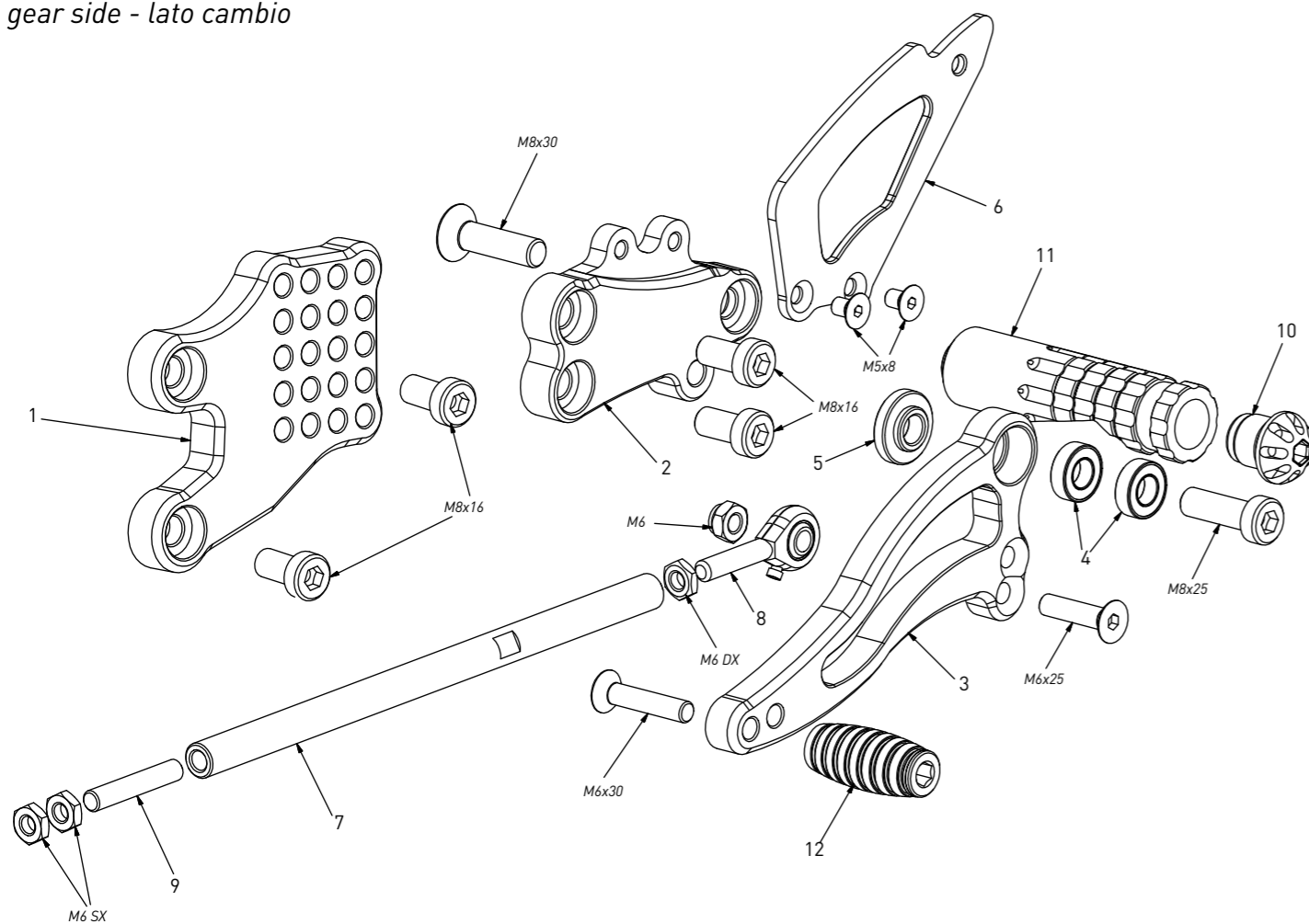
brake side - lato freno



| code K001 - brake side - lato freno | | | |
|-------------------------------------|---------------------------|---------|--|
| n° | description - descrizione | code | |
| 1 | back plate - arretratore | AR_044 | |
| 2 | plate - piastra | PS_008 | |
| 3 | pump support - portapompa | PP_015 | |
| 4 | brake lever - leva freno | FN_002 | |
| 5 | bearing - cuscinetto | CS002 | |
| 6 | heel plate - battitacco | BT_002 | |
| 7 | cap - tappo | PG00_BK | |
| 8 | footpeg - poggiatesta | PG01 | |
| 9 | frontpeg - puntalino | PU_001 | |
| 10 | spring - molla | MO_002 | |
| 11 | brake pin - perno freno | PF_005 | |
| 12 | 6mm spacer - spessore 6mm | SP_002 | |
| 13 | bush - boccia | BC_002 | |
| 14 | forelock - coppiglia | FN_001 | |

code K001 - Kawasaki ZX-10R '04/'05

gear side - lato cambio



| code K001 - gear side - lato cambio | | | |
|-------------------------------------|----------------------------|----------|--|
| n° | description - descrizione | code | |
| 1 | back plate - arretratore | AR_043 | |
| 2 | plate - piastra | PS_009 | |
| 3 | gear lever - leva cambio | LC_007 | |
| 4 | bearing - cuscinetto | CS001 | |
| 5 | bush - boccia | BC_001 | |
| 6 | heel plate - battitacco | BT_002 | |
| 7 | gear rod - asta cambio | R021_160 | |
| 8 | RH uniball - uniball DX | RH01_DX | |
| 9 | LH threaded rod - barra SX | AC01_SX | |
| 10 | cap - tappo | PG00_BK | |
| 11 | footpeg - poggiatesta | PG02 | |
| 12 | frontpeg - puntalino | PU_001 | |