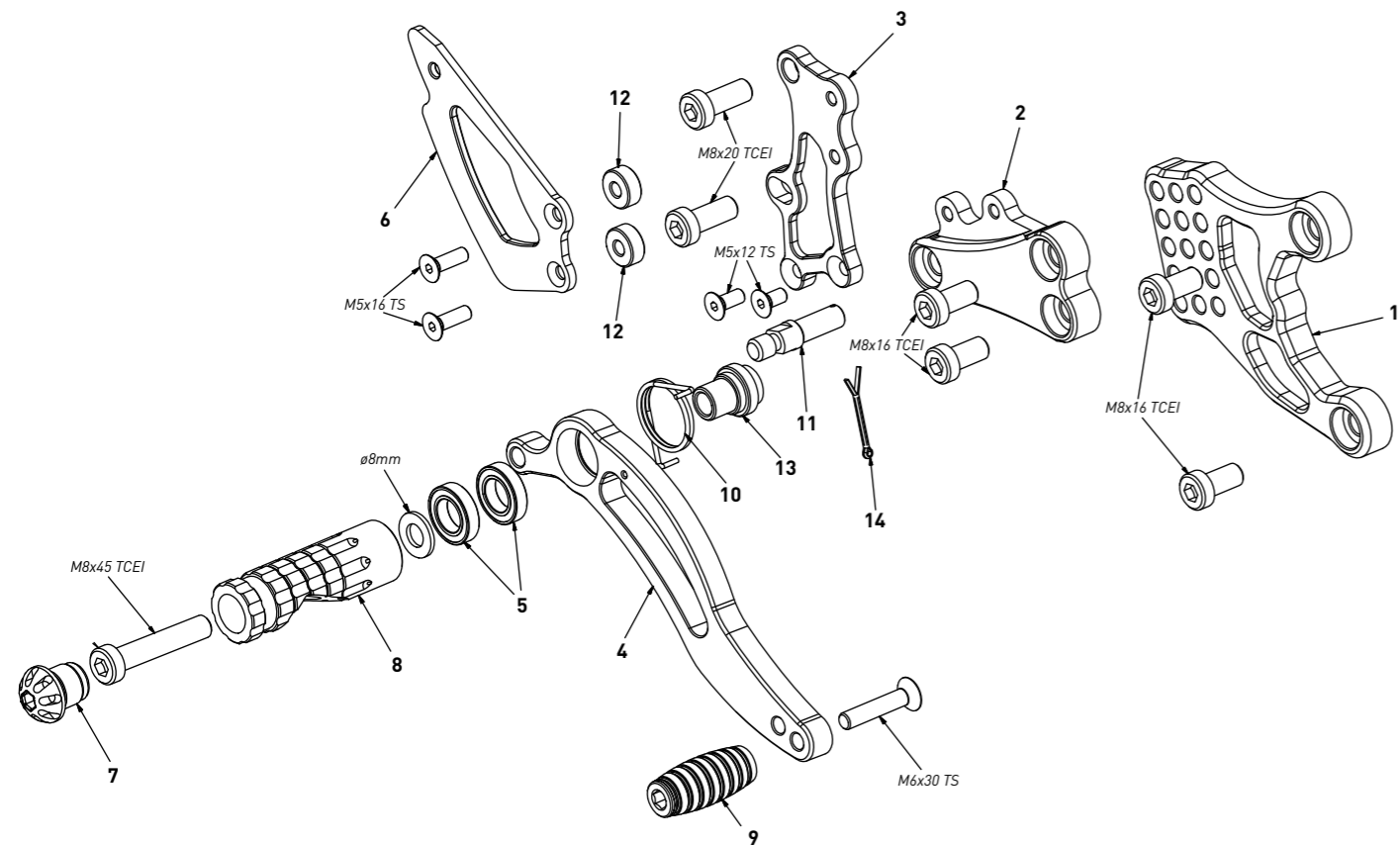


**code K002 - Kawasaki ZX-10R '06/'07**

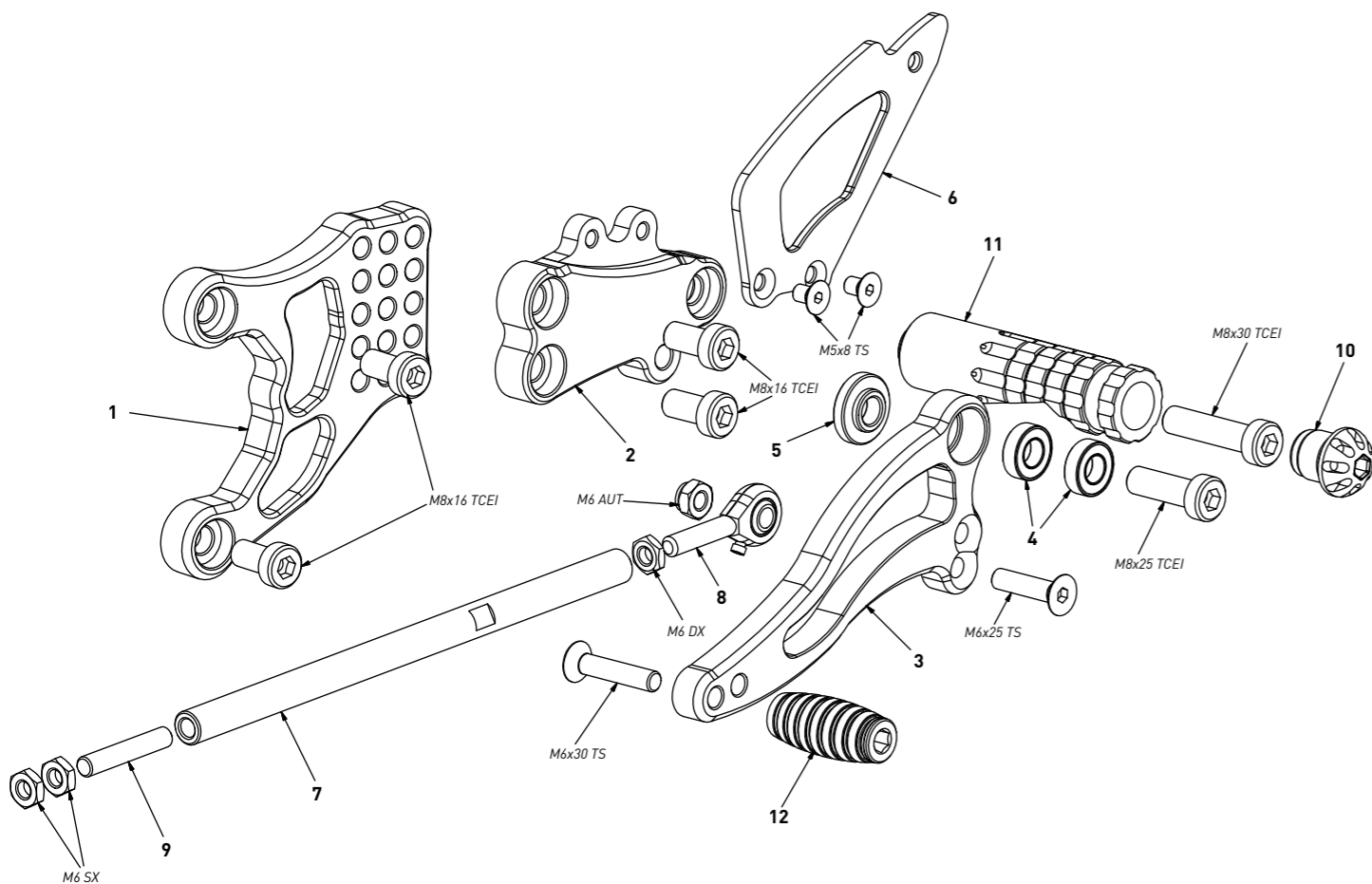
*brake side - lato freno*



code K002 - brake side - lato freno			
n°	description - descrizione	code	
1	back plate - arretratore	AR_046	
2	plate - piastra	PS_008T	
3	pump support - portapompa	PP_015	
4	brake lever - leva freno	FN_002	
5	bearing - cuscinetto	CS002	
6	heel plate - battitacco	BT_002	
7	cap - tappo	PG00_BK	
8	footpeg - poggiatesta	PG03	
9	frontpeg - puntalino	PU_001	
10	spring - molla	MO_002	
11	brake pin - perno freno	PF_005	
12	6mm spacer - spessore 6mm	SP_002	
13	bush - boccia	BC_002	
14	forelock - coppiglia	FN_001	

**code K002 - Kawasaki ZX-10R '06/'07**

*gear side - lato cambio*



code K002 - gear side - lato cambio			
n°	description - descrizione	code	
1	back plate - arretratore	AR_045	
2	plate - piastra	PS_009T	
3	gear lever - leva cambio	LC_007	
4	bearing - cuscinetto	CS001	
5	bush - boccia	BC_001	
6	heel plate - battitacco	BT_002	
7	gear rod - asta cambio	R021_210	
8	RH uniball - uniball DX	RH01_DX	
9	LH threaded rod - barra SX	AC01_SX	
10	cap - tappo	PG00_BK	
11	footpeg - poggiatesta	PG04	
12	frontpeg - puntalino	PU_001	