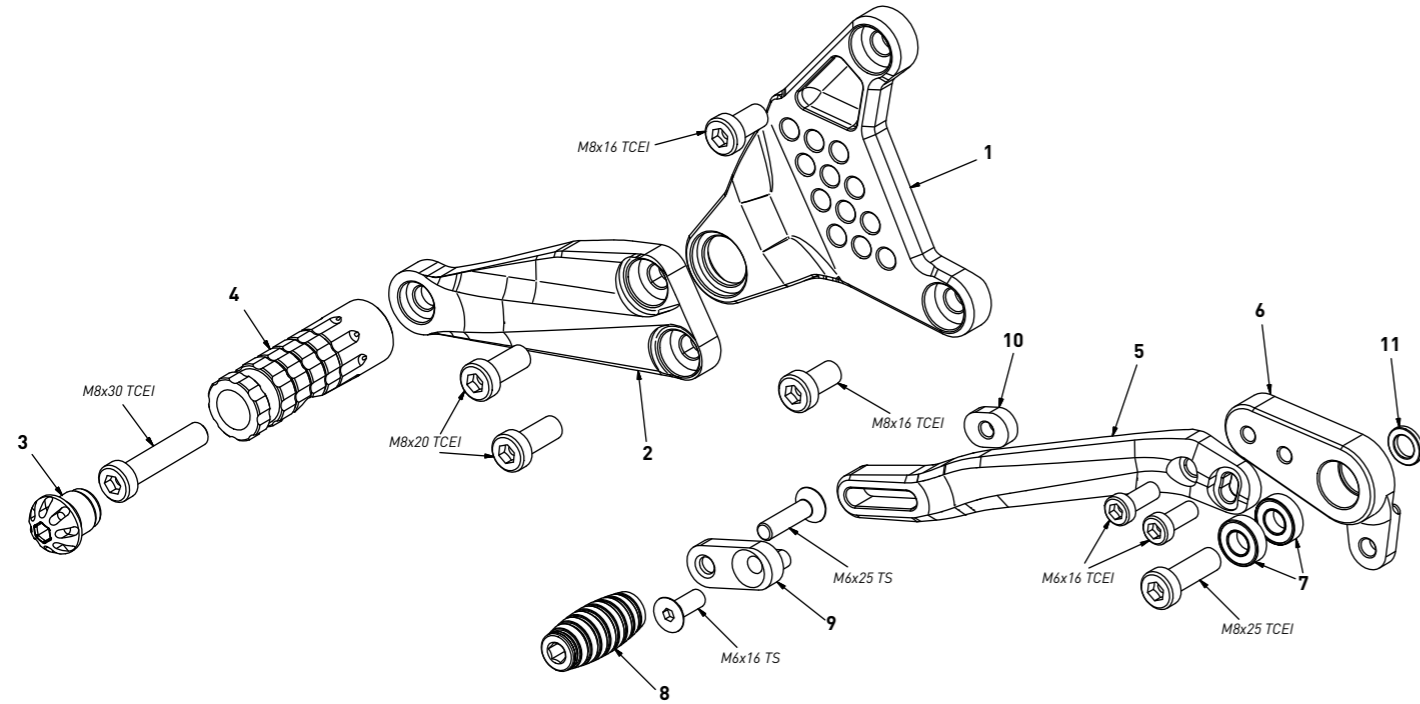


code MV02R - MV Agusta F3/B3 EAS '11/'16 (reverse shifting)

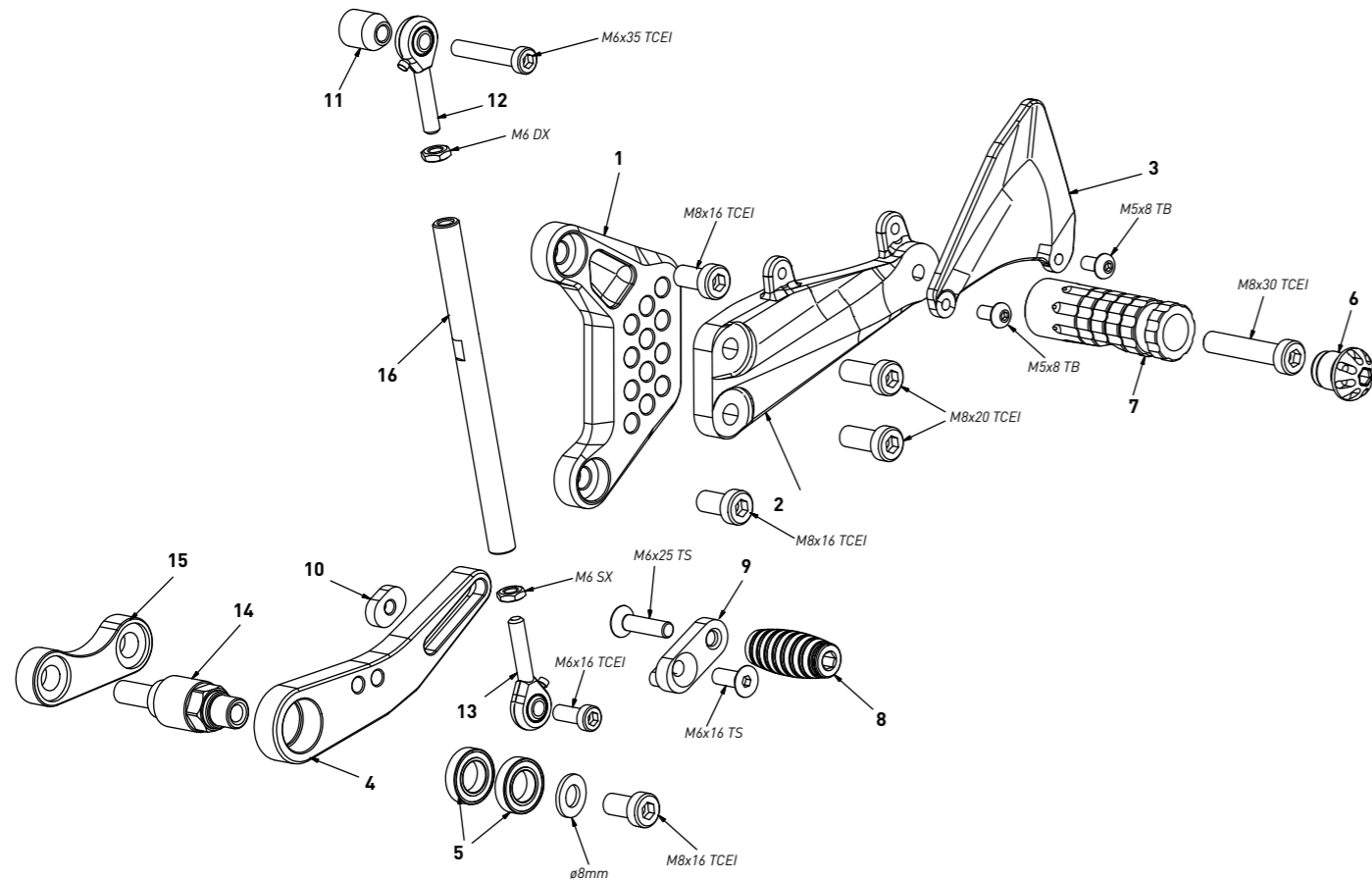
brake side - lato freno



| code MV02R - brake side - lato freno | | |
|--------------------------------------|------------------------------------|---------|
| n° | description - descrizione | code |
| 1 | back plate - arretratore | AR_084 |
| 2 | plate - piastra | PS_032T |
| 3 | cap - tappo | PG00_BK |
| 4 | footpeg - poggiatesta | PG03 |
| 5 | brake lever - leva freno | FN_017A |
| 6 | lever bracket - supporto leva | FN_017B |
| 7 | bearing - cuscinetto | CS001 |
| 8 | frontpeg - puntalino | PU_001 |
| 9 | sliding plate - piastra scorrevole | PU_004 |
| 10 | anchor - tassello | PU_005 |
| 11 | 2mm spacer - spessore 2mm | SP_018 |

code MV02R - MV Agusta F3/B3 EAS '11/'16 (reverse shifting)

gear side - lato cambio



| code MV02R - gear side - lato cambio | | |
|--------------------------------------|------------------------------------|----------|
| n° | description - descrizione | code |
| 1 | back plate - arretratore | AR_083 |
| 2 | plate - piastra | PS_037T |
| 3 | heelplate - battitacco | BT_019 |
| 4 | gear lever - leva cambio | LC_017 |
| 5 | bearing - cuscinetto | CS002 |
| 6 | cap - tappo | PG00_BK |
| 7 | footpeg - poggiatesta | PG03 |
| 8 | frontpeg - puntalino | PU_001 |
| 9 | sliding plate - piastra scorrevole | PU_004 |
| 10 | anchor - tassello | PU_005 |
| 11 | spacer - spessore | DC_019 |
| 12 | RH uniball - uniball DX | RH01_DX |
| 13 | LH uniball - uniball SX | RH01_SX |
| 14 | gear spacer - distanziale | DC_024 |
| 15 | spacer bracket - supporto | DC_024B |
| 16 | gear rod - asta cambio | R021_145 |