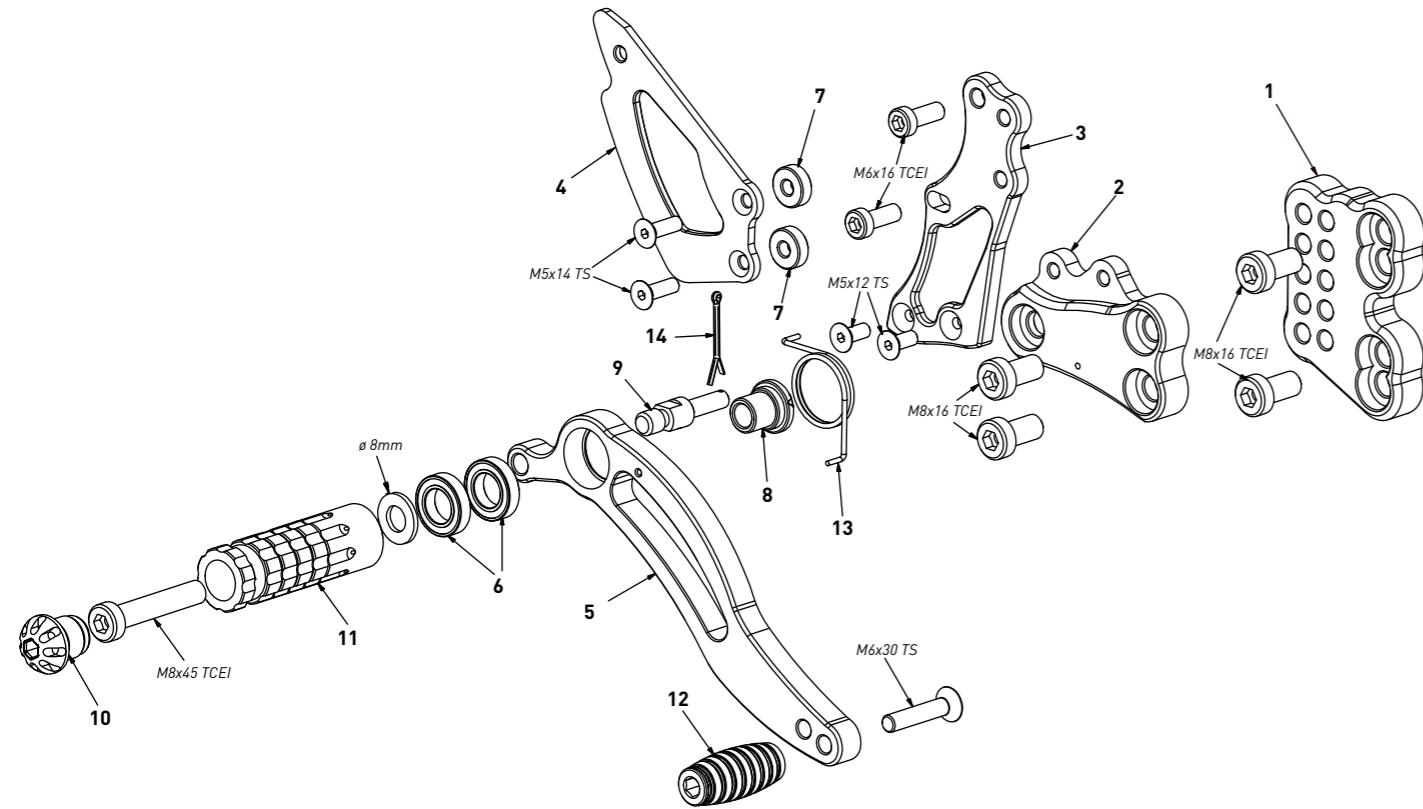


code S001 - Suzuki GSX-R 1000 '05/'06

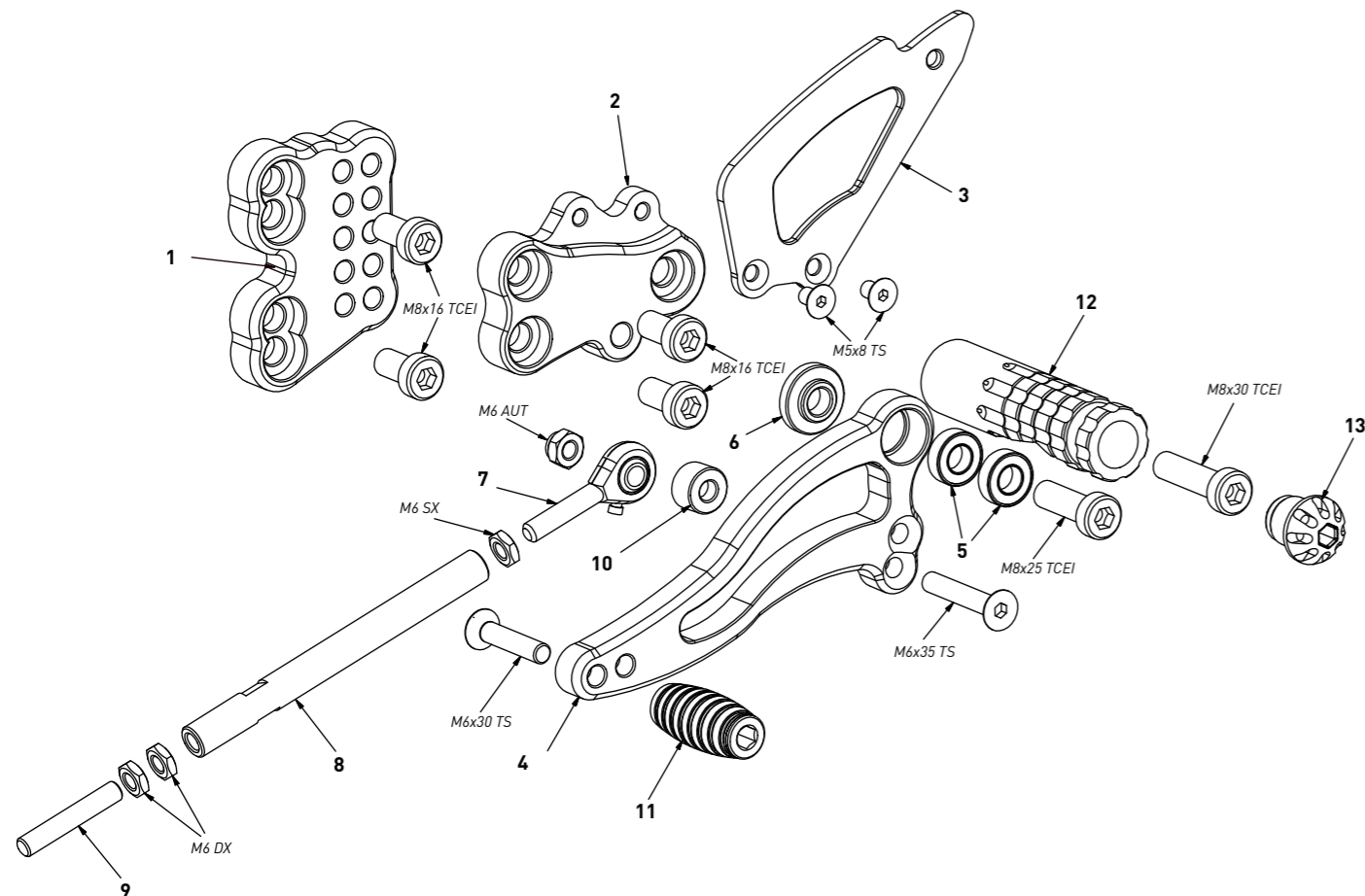
brake side - lato freno



| code S001 - brake side - lato freno | | |
|-------------------------------------|---------------------------|---------|
| n° | description - descrizione | code |
| 1 | back plate - arretratore | AR_066 |
| 2 | plate - piastra | PS_012T |
| 3 | pump support - portapompa | PP_006 |
| 4 | heelplate - battitacco | BT_002 |
| 5 | brake lever - leva freno | FN_002 |
| 6 | bearing - cuscinetto | CS002 |
| 7 | 5mm spacer - spessore 5mm | SP_001 |
| 8 | bush - boccola | BC_002 |
| 9 | brake pin - perno freno | PF_003 |
| 10 | cap - tappo | PG00_BK |
| 11 | footpeg - poggiatesta | PG03 |
| 12 | frontpeg - puntalino | PU_001 |
| 13 | spring - molla | MO_002 |
| 14 | forelock - coppiglia | FN_001 |

code S001 - Suzuki GSX-R 1000 '05/'06

gear side - lato cambio



| code S001 - gear side - lato cambio | | |
|-------------------------------------|----------------------------|----------|
| n° | description - descrizione | code |
| 1 | back plate - arretratore | AR_065 |
| 2 | plate - piastra | PS_025T |
| 3 | heelplate - battitacco | BT_002 |
| 4 | gear lever - leva cambio | LC_007 |
| 5 | bearing - cuscinetto | CS001 |
| 6 | bush - boccola | BC_001 |
| 7 | LH uniball - uniball SX | RH01_SX |
| 8 | gear rod - asta cambio | R021_145 |
| 9 | RH threaded rod - barra DX | AC01_DX |
| 10 | 8mm spacer - spessore 8mm | SP_016 |
| 11 | frontpeg - puntalino | PU_001 |
| 12 | footpeg - poggiatesta | PG04 |
| 13 | cap - tappo | PG00_BK |