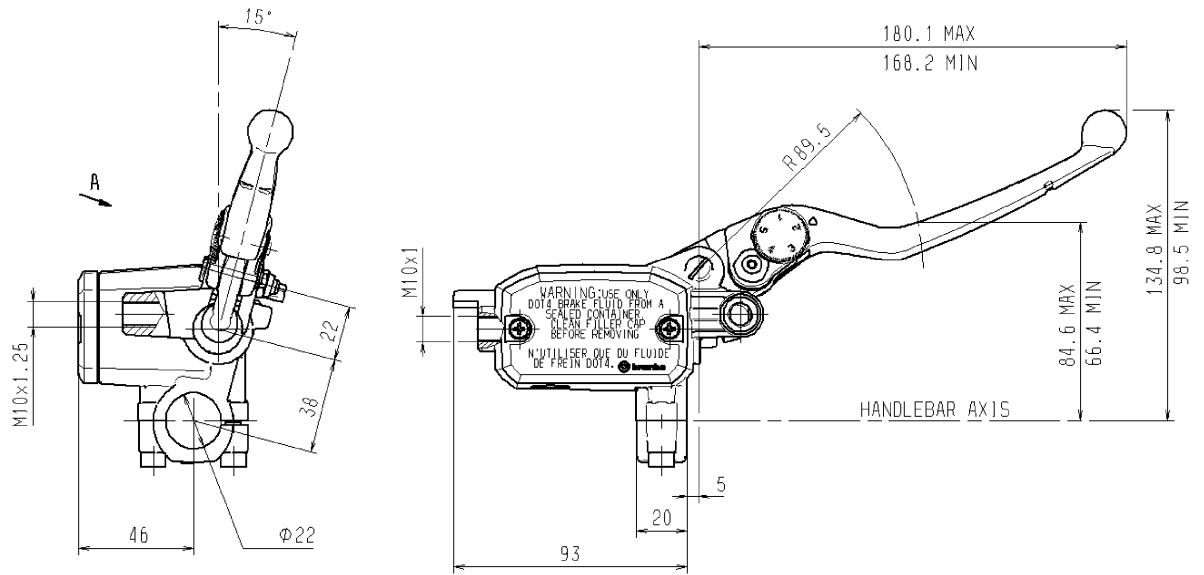




# FRONT MASTER CYLINDER

PS 16/22

10.A040.64



Note: Lever dimensions refer to view from A

## DESCRIPTION

Front master cylinder with integrated reservoir.

Adjustable lever.

Operating fluid: brake fluid DOT 4.

### Material

master cylinder body, cap, lever: aluminium alloy  
small metallic parts: steel

### Color

master cylinder body, cap: black (painting)  
lever: natural color (transparent painting)  
small metallic parts: black (zinc plated)

## TECHNICAL CHARACTERISTICS

Piston diameter:	16 mm
Piston idle stroke (nominal value):	1.5 mm
Lever axis distance:	22 mm
Usable reservoir volume (Vu):	54.5 cm <sup>3</sup>
Volume difference between MAX and MIN level (Vv):	39.0 cm <sup>3</sup>
Weight:	0.52 kg

## AVAILABLE SPARE PARTS

SPARE PARTS PUMP CODE	LEVER	CLAMP	CAP	LEVER PIN	WINDOW	ANTI-BUBBLE
10.A040.64	110.9500.84	110.4372.95	110.2704.91	110.2798.14	110.4533.10	110.4771.10